

High Pressure Laboratory Microfluidizer Processor for High-Shear Fluid Processing

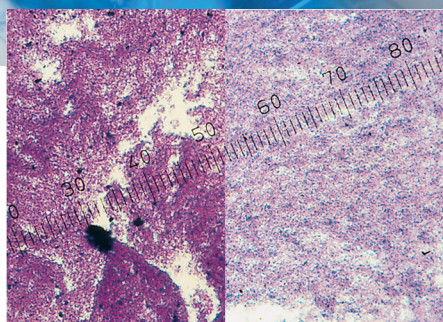
M-110Y Microfluidizer Processor

Recommended for:

- Cell disruption
- Nanoemulsions
- Nanodispersions
- Submicron liposomes
- Submicron encapsulation
- Microcapsules

The M-110Y Microfluidizer processor is a lab machine that provides the highest shear rates of any competitive processing equipment on the market today, maximizing the energy-per-unit fluid volume to produce uniform submicron particle and droplet sizes.

Process pressures range from 206–1586 bar (3,000–23,000 psi), enabling the processing of a wide variety of products ranging from simple oil-in-water emulsions to high-weight-percent solids in liquid suspensions, as well as low to high concentration cell disruption. The system is easy to operate and is designed for clean-in-place without disassembly.



Before Processing

After Processing

*Patented
Microfluidizer
processor
produces uniform
dispersions with
submicron size
particles*



Model shown is subject to change depending on options selected

The M-110Y Microfluidizer processor for micro-mixing in the laboratory

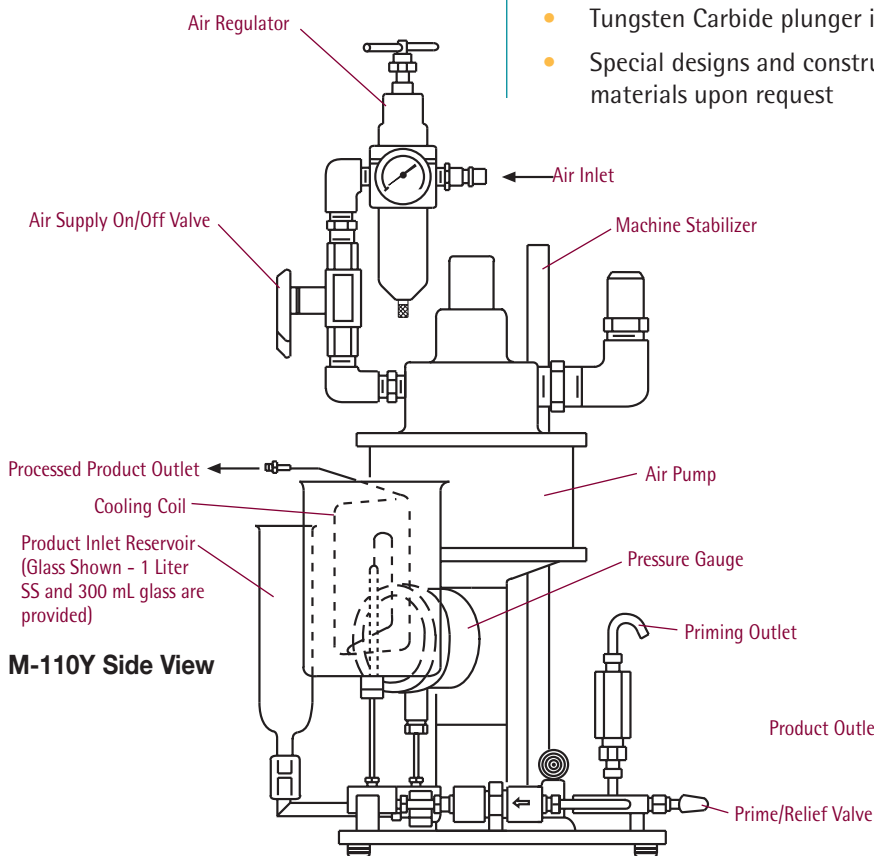
- Unique wear-resistant ceramic or diamond (optional) fixed-geometry interaction chamber
- Guaranteed scaleup to production scale machines
- All wetted metal parts – 300 series stainless steel, 17-4PH stainless steel, or Nitronic 60. Plunger is chrome-plated.
- Pressure range: 206–1586 bar (3,000–23,000 psi)
- Open jacket cooling coil
- Easy clean-in-place and simple maintenance
- Air powered and explosion-proof
- Portable, benchtop unit
- Sanitary fittings
- Product path is immersible in cooling or heating bath
- CE compliant
- Sample size: 60 ml to continuous

*total equipment holdup volume with cooling coil is 42 ml

Operating Principle

The M-110Y has an air powered intensifier pump designed to supply the desired operating pressure at a constant rate through fixed-geometry microchannels within the interaction chamber.

As a result, the product stream accelerates to high velocities, creating shear rates within the product stream that are orders of magnitude greater than any other conventional means. All of the product experiences identical processing conditions, producing the desired results, including uniform particle and droplet size reduction (often submicron), deagglomeration and high yield cell disruption.



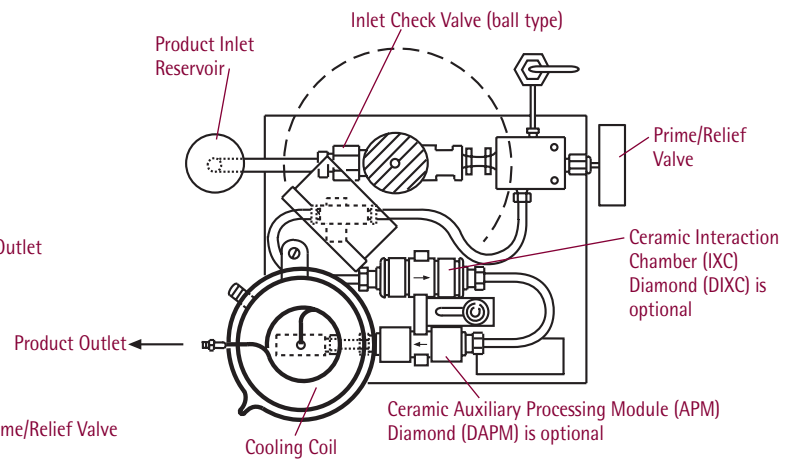
M-110Y Side View

Specifications

| | |
|---|---|
| Pressure Range | 206-1586 bar (3,000 - 23,000 psi) |
| Flow Rate Range | 100-500 ml/min |
| Feed Temperature Range | -25°C to 75°C (-15°F to 165°F) |
| Processor Air Requirements For Maximum Operating Pressure | 26 l/sec @ 5.0 bar (56 scfm @ 100 psi) 11 kw (15 hp) compressor required |
| Sample Size | 60 ml to continuous |
| Dimensions LxWxH | 28 x 41 x 76 cm (11" x 16" x 30") |
| Weight | 25 kg (55 lbs) |

M-110Y Available Options

- 400 ml stainless steel manual pressure feed reservoir
- 2 liter stainless steel reservoir
- 7.6 liter (2 gallon) pressurized feed tank
- 2 liter stainless steel pressurized reservoir
- Tungsten Carbide plunger in pump
- Special designs and construction materials upon request
- Autoclavable (sterilizable to 121°C) air motor
- Air tank regulator
- Sanitary pressure transducer with digital readout
- Dual feed assembly
- Diamond interaction chamber
- Product temperature sensors and indicators
- IQ/OQ documentation
- Kalrez/Chemraz o-rings
- Factory acceptance test (FAT)
- Site acceptance test (SAT)
- Start-up training



M-110Y Overhead View

Microfluidics reserves the right to change specifications without notice.



Microfluidics International Corporation
90 Glacier Drive, Suite 1000 • Westwood, MA 02090, USA
Tel: 617-969-5452 • 800-370-5452 • Fax: 617-965-1213
Email: mixinginfo@idexcorp.com • www.microfluidicscorp.com



IDEX Material Processing Technologies
Bramley Drive, Vale Park West, Evesham, Worcestershire, WR11 1JH, UK
Tel: (+44) (0) 1386 769 007 • Fax: (+44) (0) 870 191116
Email: mixinginfo@idexcorp.com • www.microfluidicscorp.com